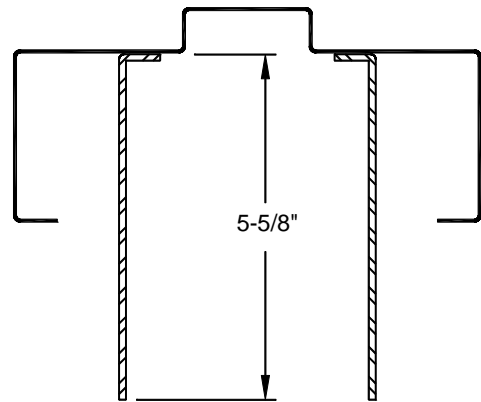
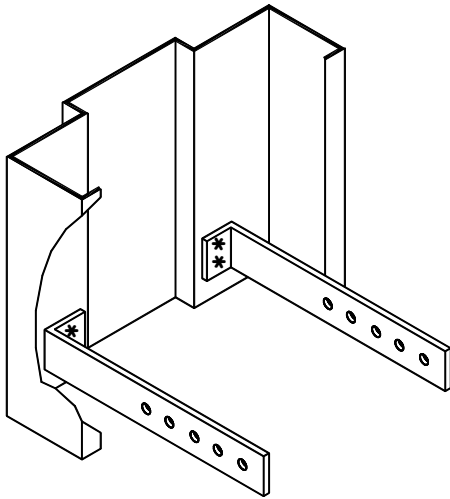


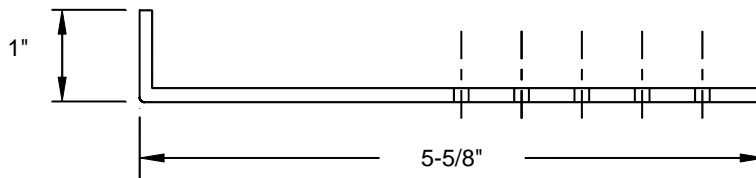
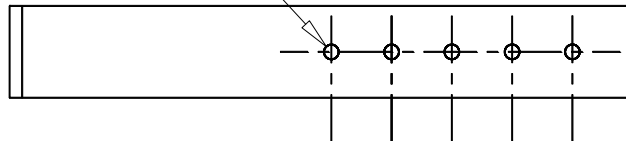
A1 STANDARD STRAP ANCHOR

MATERIAL: GALVANNEAL
GAUGE: 18
TWO SPOTWELDS PER STRAP
WHI AND UL APPROVED



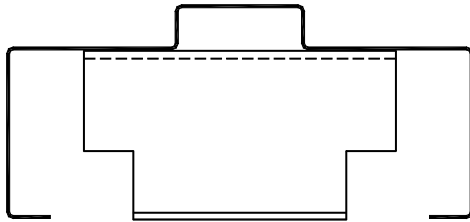
NAILS OR SCREWS FOR WALL ATTACHMENT
NOT INCLUDED

Ø3/16"
(5 PL. 5/8" FROM END AND 5/8" ON CENTER.)

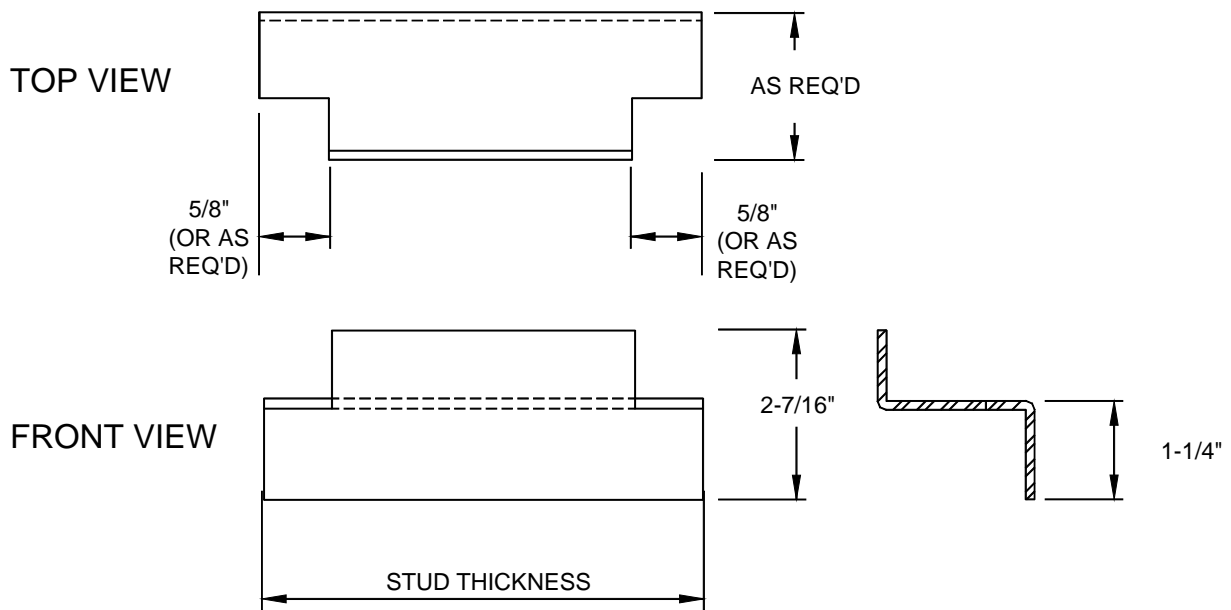
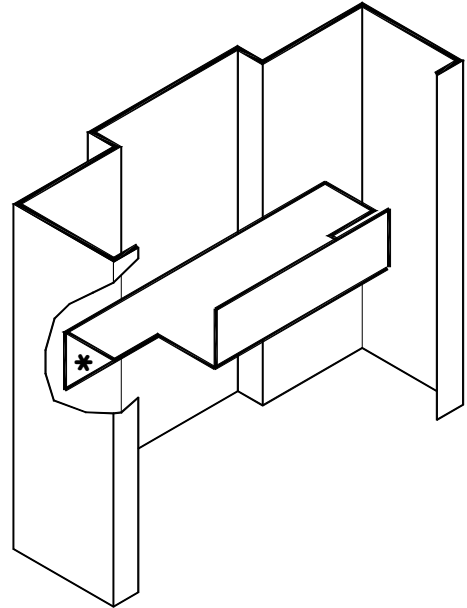


A2 FLUSH METAL STUD ANCHOR

MATERIAL: GALVANNEAL
GAUGE: 16
TWO SPOTWELDS PER END
WHI AND UL APPROVED

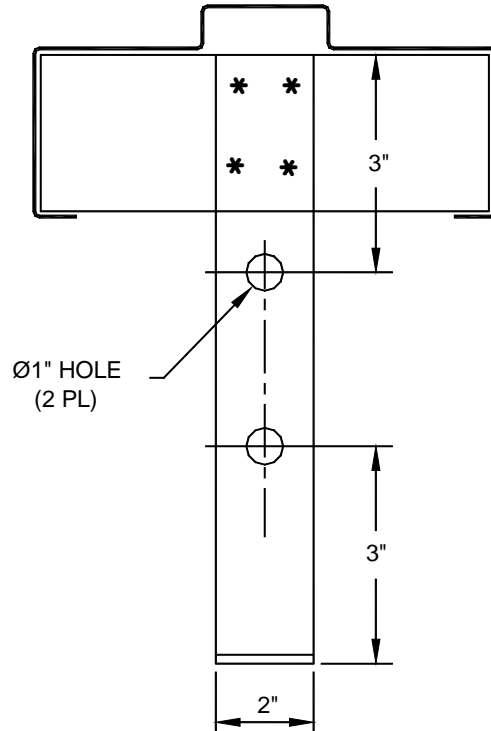
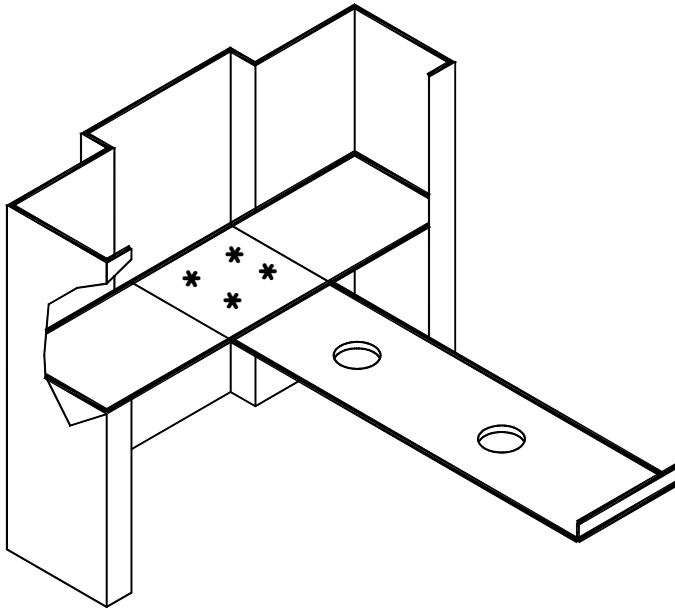


SCREWS USED TO FASTEN TO STUD
NOT INCLUDED

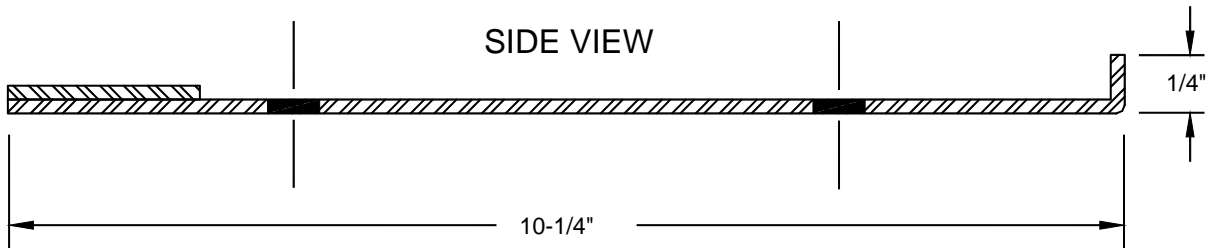


A5 MASONRY "TEE" ANCHOR

MATERIAL: GALVANNEAL
 GAUGE: 16
 WELDED: (4) SPOTWELDS
 THIS ANCHOR SHIPS LOOSE
 WHI AND UL APPROVED



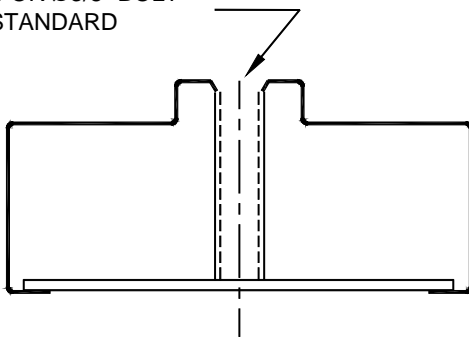
ALTERNATE
 A6 ANCHOR
 3/16" DIA
 WIRE ANCHOR



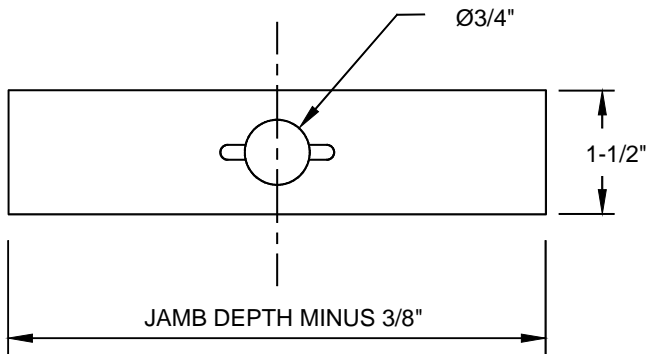
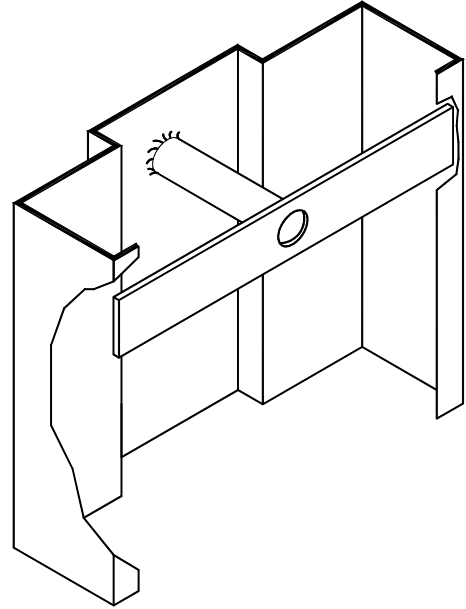
A7 PUNCH & DIMPLE MASONRY ANCHOR

GAUGE: 16
 TACK WELDED
 WHI AND UL APPROVED

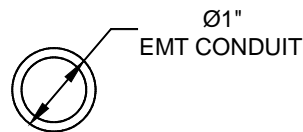
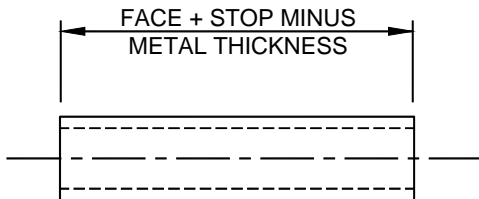
PREP FOR Ø3/8" BOLT
 STANDARD



ANCHOR BOLTS FOR FLOOR ATTACHMENT
 NOT INCLUDED



STRAP



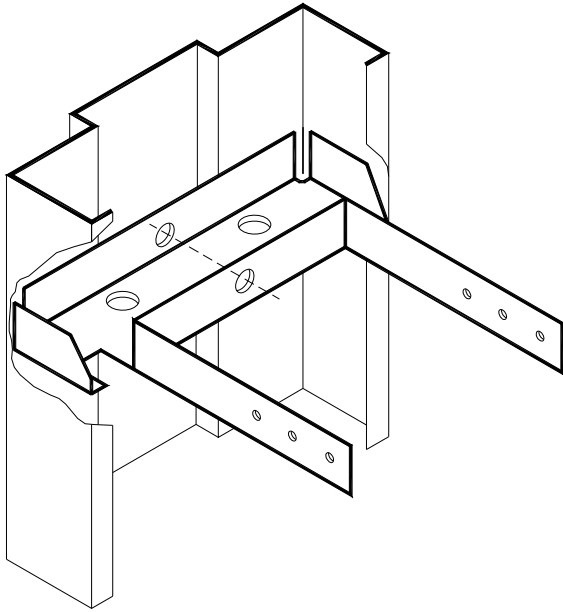
PIPE SLEEVE

A9T "TWIST-IN" UNIVERSAL ANCHOR

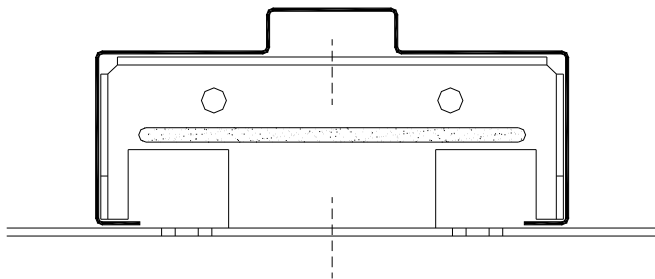
MATERIAL: GALVANNEAL
GAUGE: 18
WHI AND UL APPROVED

MAY BE MANUFACTURED FOR CUSTOM
JAMB DEPTHS, FACES AND PROFILES.

STOCKED FOR THE FOLLOWING
JAMB DEPTHS - SHIPS LOOSE.

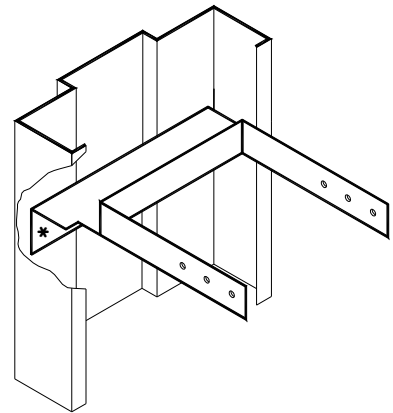
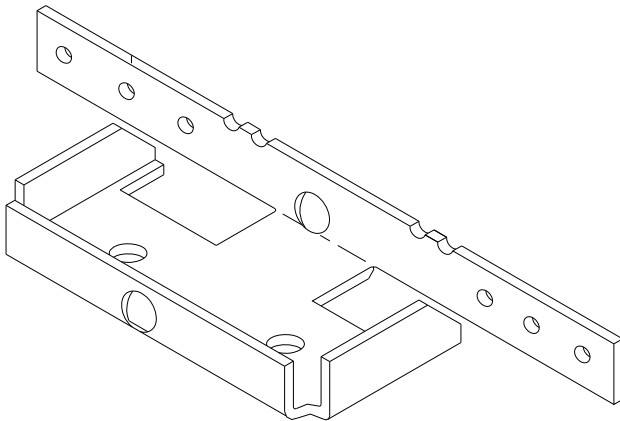


JAMB DEPTH	FACE
4-3/4"	2"
5-3/4"	2"
5-7/8"	2"
4-3/4"	2"
7-3/4"	2"
8-3/4"	2"



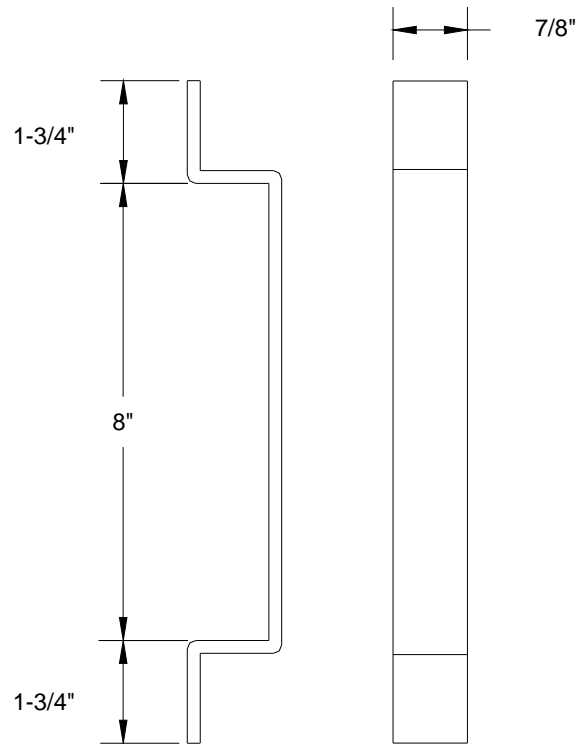
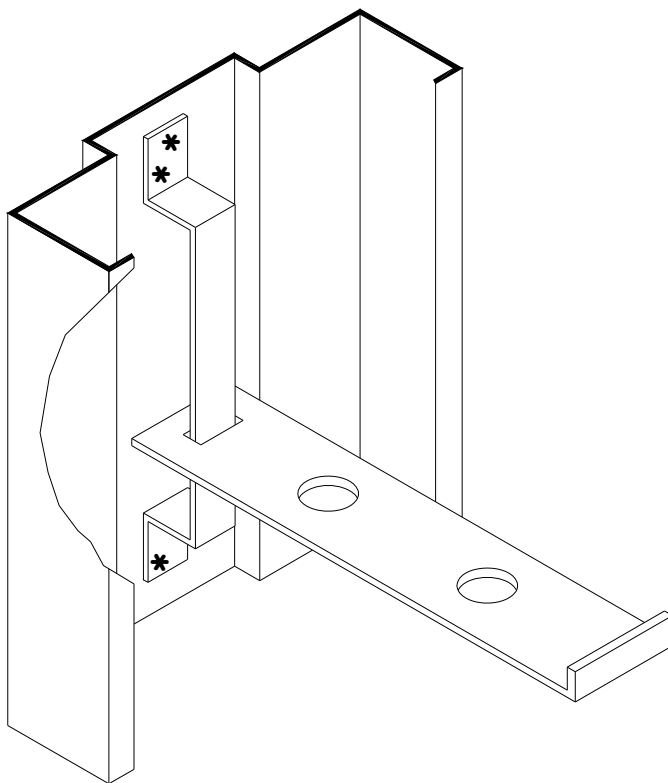
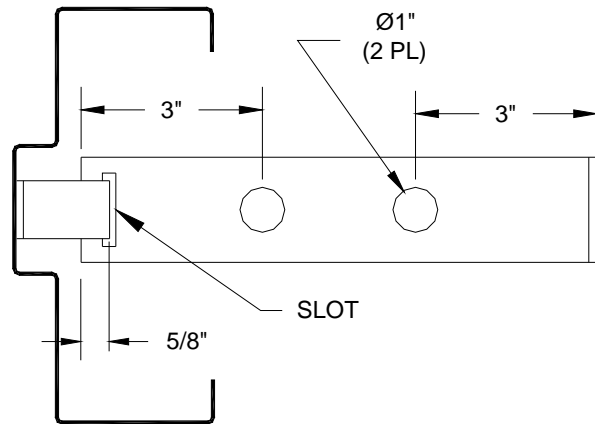
ALTERNATE A9W ANCHOR

WELDED IN -
FOR CUSTOM PROFILES

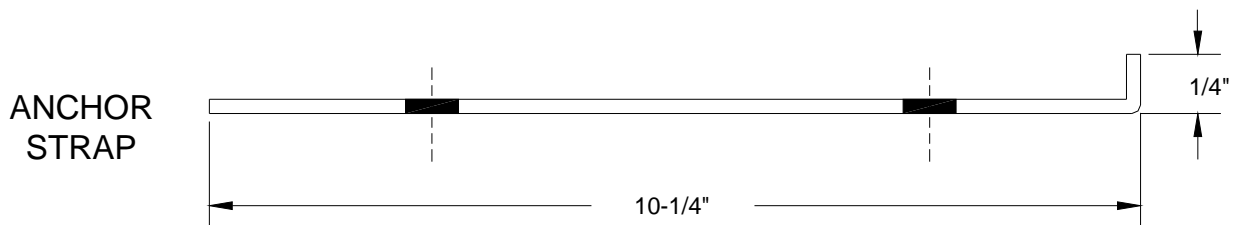


A11 ADJUSTABLE MASONRY ANCHOR

MATERIAL: GALVANNEAL
 GAUGE: 16
 TWO SPOT WELDS PER END
 WHI AND UL APPROVED



ADJUSTABLE HAT SECTION



ANCHOR STRAP