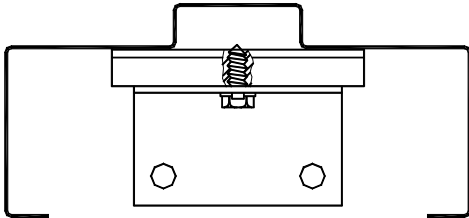
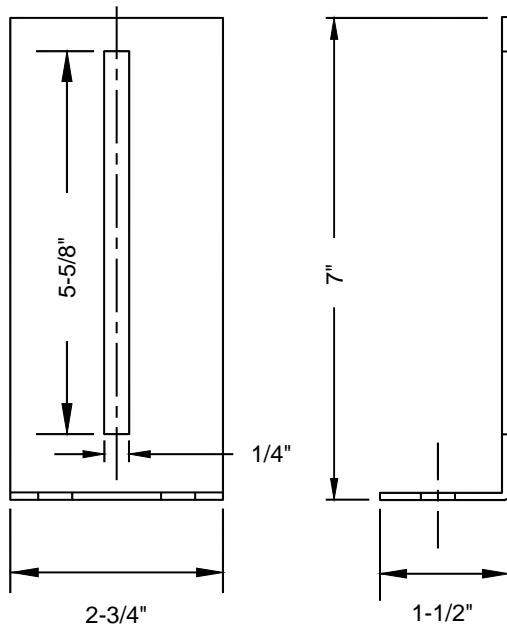
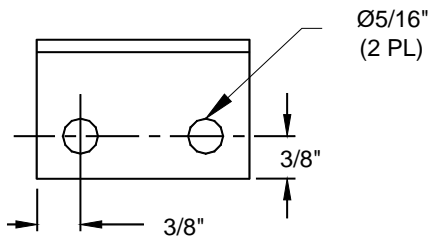
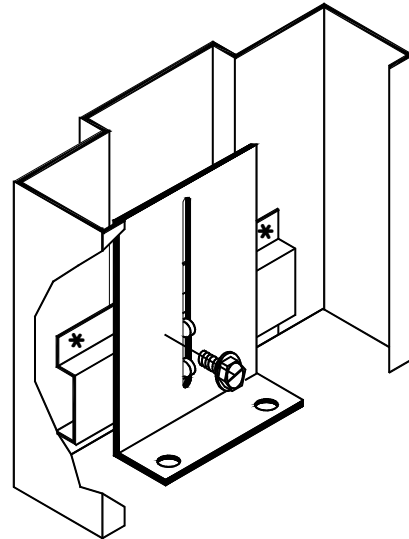


A8 ADJUSTABLE BASE ANCHOR

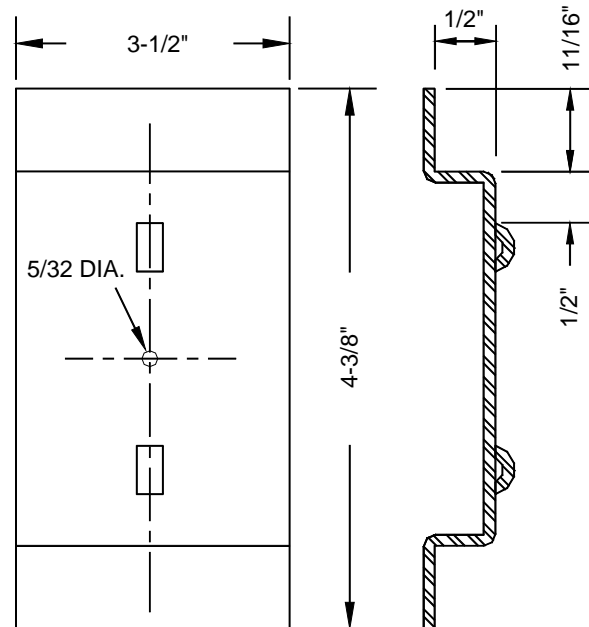
MATERIAL: GALVANNEAL
GAUGE: 16
TWO SPOT WELDS PER END
WHI AND UL APPROVED



ANCHOR BOLTS USED FOR FLOOR CONNECTION ARE NOT INCLUDED



ADJUSTABLE ANGLE



HAT STRAP