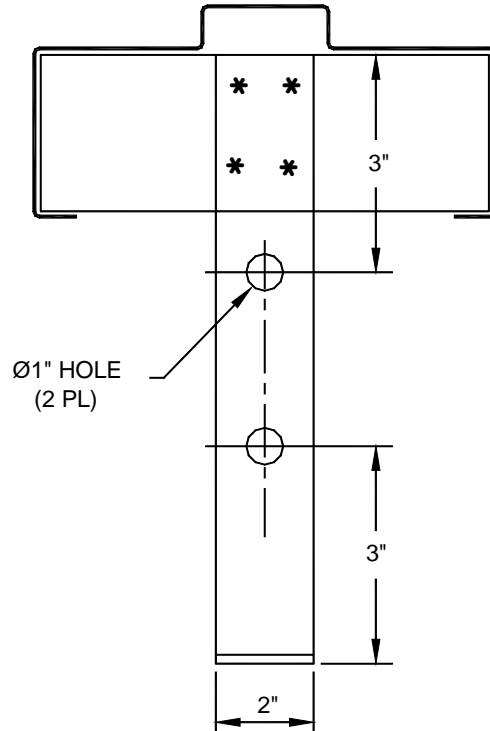
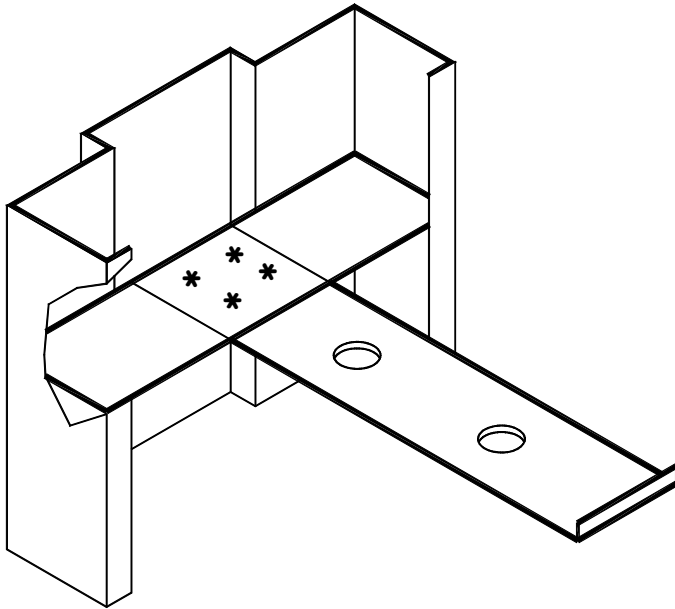


# A5 MASONRY "TEE" ANCHOR

MATERIAL: GALVANNEAL  
GAUGE: 16  
WELDED: (4) SPOTWELDS  
THIS ANCHOR SHIPS LOOSE  
WHI AND UL APPROVED



ALTERNATE  
A6 ANCHOR

3/16" DIA  
WIRE ANCHOR

