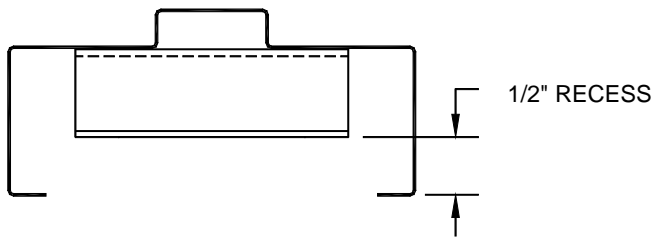
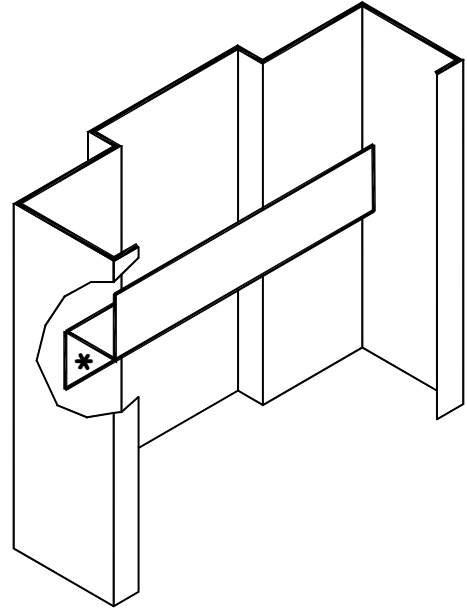


A3 RECESSED METAL STUD ANCHOR

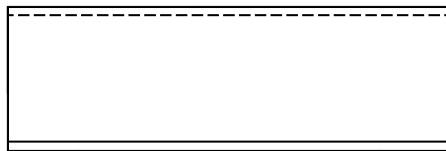
MATERIAL: GALVANNEAL
GAUGE: 16
TWO SPOTWELDS PER END
WHI AND UL APPROVED



SCREWS USED TO FASTEN TO STUD
ARE NOT INCLUDED



TOP VIEW



FRONT VIEW

