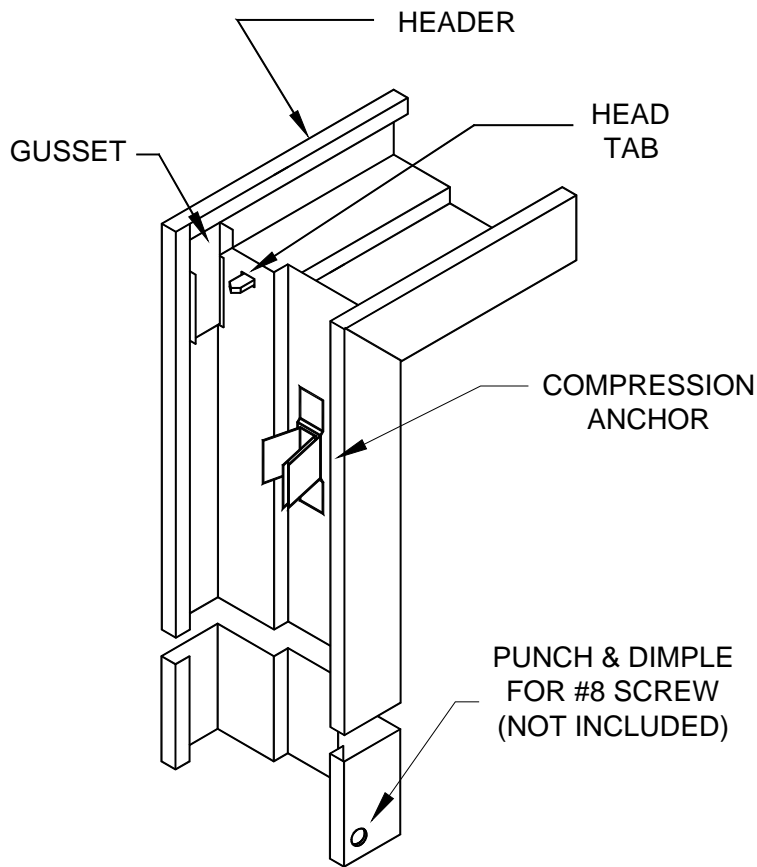
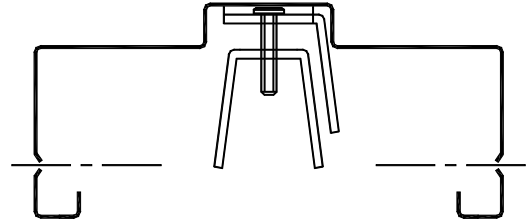
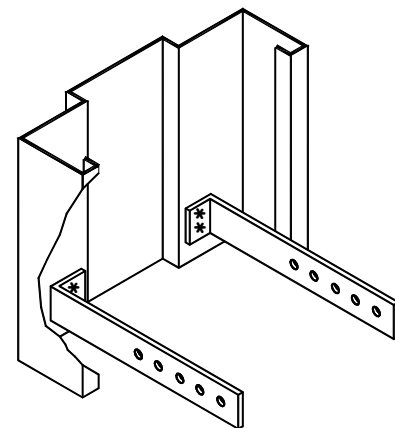


A10 KDDW COMPRESSION ANCHOR

MATERIAL: GALVANNEAL
 GAUGE: 16
 TWO SPOTWELDS PER END
 WHI APPROVED



STANDARD BASE ANCHOR



ALTERNATE BASE ANCHOR
 (SEE TO PAGE 1 FOR DETAILS)