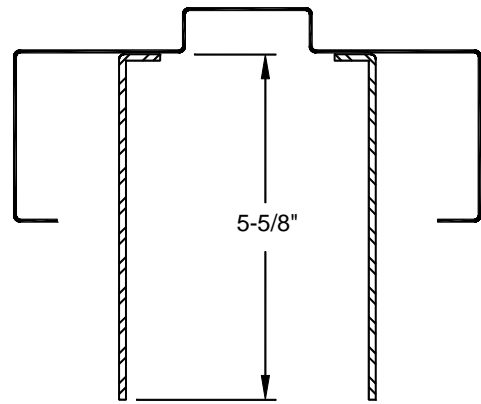
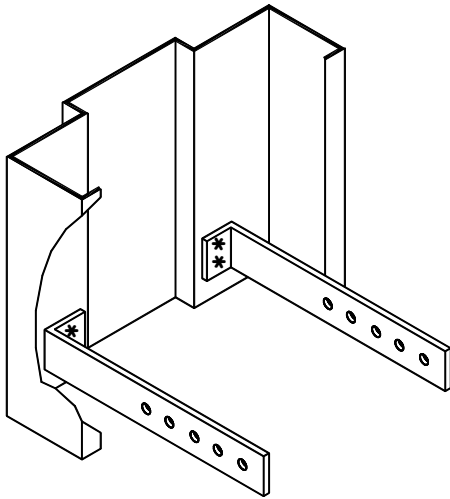


A1 STANDARD STRAP ANCHOR

MATERIAL: GALVANNEAL
GAUGE: 18
TWO SPOTWELDS PER STRAP
WHI AND UL APPROVED



NAILS OR SCREWS FOR WALL ATTACHMENT
NOT INCLUDED

Ø3/16"
(5 PL. 5/8" FROM END AND 5/8" ON CENTER.)

